

Technical Datasheet

RSPOS-100 UHF RFID Scanner/ Encoder



Features

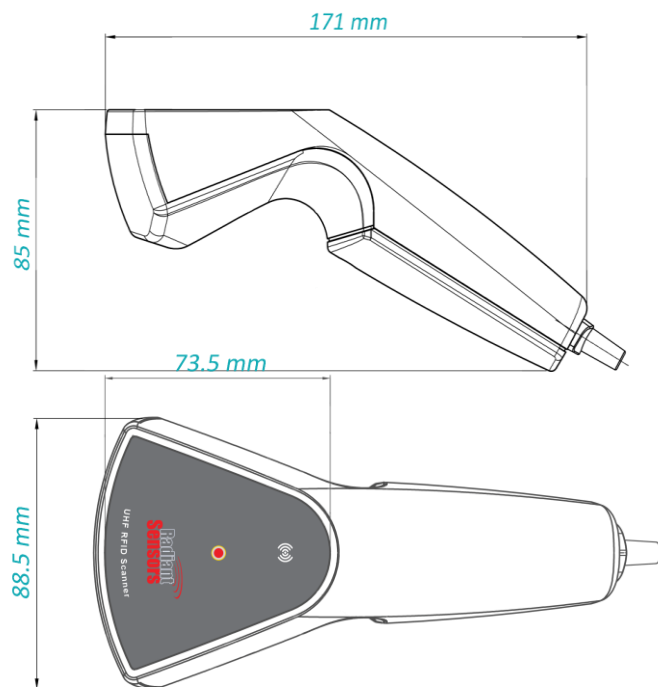
- Wi-Fi or USB connectivity (user definable)
- Web-based configuration setup
- Snap-on installation
- Plug & play driver-free setup
- Rich API for quick integration
- Orientation-insensitive design resulting in faster and more accurate RFID reads
- Single and continuous scanning modes
- Best-in-class receive sensitivity
- Enhanced interference rejection
- Rugged yet compact and lightweight for effortless use
- Superior ergonomic design for both left and right-handed users
- USB 2.0 for power and/or communication line
- Built-in activity indicator LED & buzzer
- IP41 sealing for dust and water resistance

RSPOS-100 is a dual-function device with the capability of scanning and encoding UHF RFID tags. The device's installation is straight forward plug & play, and does not require any additional software or drivers. It can connect to your facility's Wi-Fi or USB port to access your choice of cloud or on-premise host application. The Wi-Fi or USB communication mode is user definable.

RSPOS-100 comes with an intuitive web-based setup software by which you can easily configure the device to seamlessly adjust it with your specific application.

Once in Scan mode, **RSPOS-100** scans RFID tags and depending on system configurations, sends the captured data to the host via USB (as a keyboard) or Wi-Fi. The scanning of RFID tags can be done in single or continuous modes. When the Encode mode is activated, one byte of a pre-defined pattern is encoded into the target tag and the EPC is sent to your host application.

Snap-on installation and exceptional ergonomic design has made **RSPOS-100** convenient to setup and comfortable to use. This device can easily get integrated with any third-party application through rich APIs.



Specifications



Applications

- Retail POS
- Hypermarket
- Pharmacy & Healthcare
- Warehouse
- Receiving/Shipping
- Product authentication
- Quality control
- Office
- And more...



Radiant Sensors designs, develops and manufactures passive and active RFID hardware products as well as IoT sensor devices for short-range and long-range wireless identification technology.

Our devices are field-proven and have been in operation for many years throughout the world.

Toll Free: 888-557-9109
 Overseas: +1-213-377-5745
www.Radiantsensors.Com
 Email: Sales@Radiantsensors.Com

Model No.	RSPOS-100
Product	UHF RFID Scanner/Encoder
Supported RFID Standard	EPC Gen 2
Connectivity	Wi-Fi, USB (user definable)
Read Range	Up to 15 cm (6 inches)
Protocol	HID Keyboard, TCP over Wi-Fi
Driver	Plug & Play
Working Mode	Single mode (scan & encode) Continuous mode (scan)
Reading Rate	10 tags per second in continuous mode
Button	Scan/encode button
User Feedback	Buzzer & LED
Cable Length	1.8 Meter
RFID Antenna Type	Integrated, Orientation-insensitive
RFID Output Power Range	18-25 dbi
Input Voltage	5 VDC
Input Current	5VDC @ 500 mA
Operating System	All operating systems are supported.
Operating Temperature	-20 °C to +60 °C
Storage Temperature	-40 °C to +85 °C
Dimensions	(H×W×L) 8.5 × 8.8 × 17 cm (3.3 × 3.4 × 6.7 in)
Weight	150 g
IP Rating	IP41
Colour	Grey (shown), Beige
SDK	Rich API for quick integration
Warranty	12 months
Country of Origin	Made in USA