

RSATJ-100 Anti-Tamper UHF RFID Jewelry Tag



Features

- Anti-Tamper
- Best performing EPC Class 1 Gen 2
- Advanced privacy-protection modes
- Effective read range
- Low cost
- Sample codes for quick integration with any application

Radiant Sensors' revolutionary passive **Anti-Tamper UHF RFID Tag** offers an industry-first Tamper Alert along with advanced privacy-protection modes providing theft deterrence.

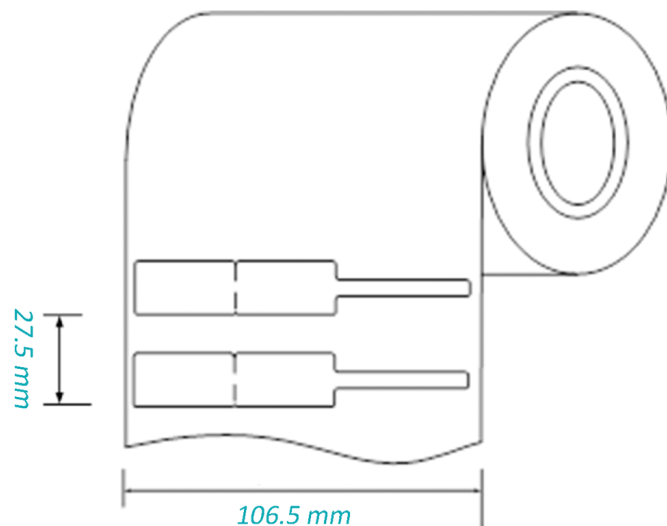
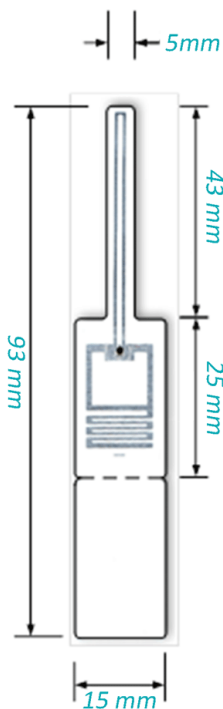
RSATJ-100 Tag is designed for the jewelry and watch industry and works well in this challenging environment.

RSATJ-100 provides one of the best in industry read distance (-18 dBm chip sensitivity), with up to 128 Bits of EPC.

The tag has proven to be the best performing EPC Class 1 Gen 2 and solves a long-awaited anti-tamper requirement for high valued jewelry and watch retailers.

When the pigtail is cut, the tag IC will register the tampered event when scanned by the RFID Reader. UHF RFID handheld as well as fixed readers can easily detect the tampered tag.

To aid you in quickly integrating this feature to your application, Radiant Sensors offers sample codes for handheld RFID reader ATID AT870 (windows) and TSL 1128 (Android).





Technical Datasheet



Applications

- Jewelry
- Watch
- Any application requiring tamper evident UHF RFID tags



Radiant Sensors designs, develops and manufactures IoT sensor devices as well as RFID hardware products for short and long-range wireless identification technology. Our devices are field-proven and have been in operation for many years throughout the world

www.Radiantsensors.Com
Email: Sales@Radiantsensors.Com

Specifications

Product	RSATJ-100
Interface Support	Anti-Tamper UHF RFID Tag
Read Range	<ul style="list-style-type: none"> • Up to 4 meters (13 Ft.), with fixed reader. • Up to 1 meter (3 Ft.), with handheld reader.
Protocol	ISO/IEC 18000-6C & EPC global Class 1 Gen 2
Frequency Range	860 – 960 MHz (Global Frequency)
Type	Passive
Dimensions	As shown
Material	PET
Operating Temperature	-20 °C to +60 °C (-4 °F to 140 °F)
Operating Humidity	30% ~ 70%
IC Type	G2iM+
EPC	128 Bits
TID	48 Bits

Packing Information

Order code	RSATJ-100
Average units per roll	2,000 pcs
Core Size	76.2 mm(3 in)
Max. roll outer diameter	≤35 mm
Quality Assurance	100% performance tested