

RSPOS-102D Wireless 2D Barcode & UHF RFID Scanner/Encoder



Features

- Wi-Fi or USB connectivity (user definable)
- Web-based configuration setup
- Snap-on installation
- Plug & play driver-free setup
- Rich API for quick integration
- Superb 1D/2D barcode scanning
- Orientation-insensitive design resulting in faster and more accurate RFID reads
- Single and continuous scanning modes
- Best-in-class receive sensitivity
- Enhanced interference rejection
- Rugged yet compact and lightweight for effortless use
- Superior ergonomic design for both left and right-handed users
- USB 2.0 for power and/or communication line
- Built-in activity indicator LED & buzzer
- IP41 sealing for dust and water resistance

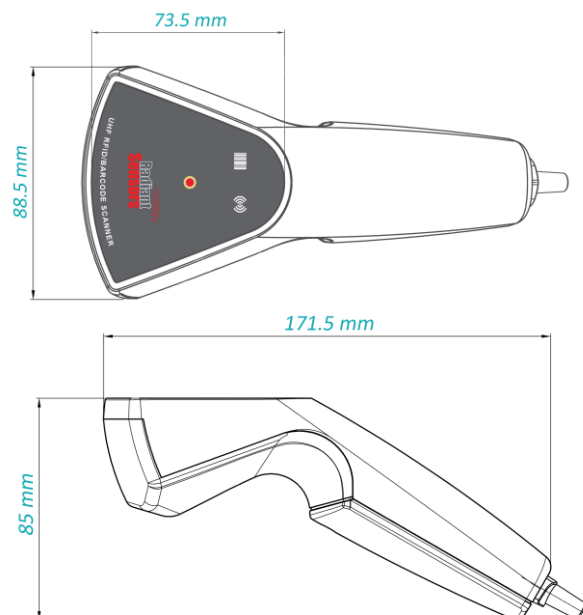
RSPOS-102D is a dual-function device with the capability of scanning 1D/2D barcode, as well as scanning and encoding UHF RFID tags. The device's installation is straight forward plug & play and does not require any additional software or drivers. It can connect to your facility's Wi-Fi or your computer's USB port to access your choice of cloud or on-premise host application. The Wi-Fi or USB communication mode is user definable.

RSPOS-102D comes with an intuitive web-based setup software by which you can easily configure the device to seamlessly adjust it to your specific application. The barcode and RFID scanning buttons along with LED and buzzer make this device highly responsive and easy to use.

Once in the Scan mode, RSPOS-102D scans RFID tags and depending on system configurations, sends the captured data to the host via USB (as a keyboard) or Wi-Fi. The device works in both single and continuous scanning modes, making it ideal for Point of Sale applications.

In encoding mode, the user can encode one byte of target tag's EPC to a desirable pattern. It can also encode any of the eight bits individually.

Snap-on installation and exceptional ergonomic design has made RSPOS-102D convenient to setup and comfortable to use. The device can easily get integrated with any third-party application through rich APIs.



Technical Datasheet

Specifications



Applications

- Retail POS
- Hypermarket
- Pharmacy & Healthcare
- Warehouse
- Receiving/Shipping
- Product authentication
- Office
- And more...



Radiant Sensors designs, develops and manufactures IoT sensor devices as well as RFID hardware products for short and long-range wireless identification technology. Our devices are field-proven and have been in operation for many years throughout the world

www.Radiantsensors.Com
Email: Sales@Radiantsensors.Com

Model No.	RSPOS-102D
Product	Wireless 2D Barcode & UHF RFID Scanner/Encoder
Supported RFID Standard	EPC Gen 2
Connectivity	Wi-Fi, USB (user definable)
Read Range	Up to 15 cm (6 inches)
Barcode Scan Engine	Opticon 2D Laser Scanner
Protocol	HID Keyboard, TCP over Wi-Fi
Driver	Plug & Play
Working Mode	Single mode (scan & encode) Continuous mode (scan)
Reading Rate	10 tags per second in continuous mode
Buttons	Barcode, RFID
User Feedback	Buzzer & LED
Cable Length	1.8 Meter
RFID Antenna Type	Integrated, Orientation-insensitive
RFID Output Power Range	18-25 dbi
Input Voltage	5 VDC
Input Current	5VDC @ 500 mA
Operating System	All operating systems are supported.
Operating Temperature	-20 °C to +60 °C
Storage Temperature	-40 °C to +85 °C
Dimensions	(H × W × L) 8.5 × 8.8 × 17 cm (3.3 × 3.4 × 6.7 in)
Weight	165 g
IP Rating	IP41
Colour	Grey (shown), Beige
SDK	Rich API for quick integration
Warranty	12 months
Country of Origin	Made in USA